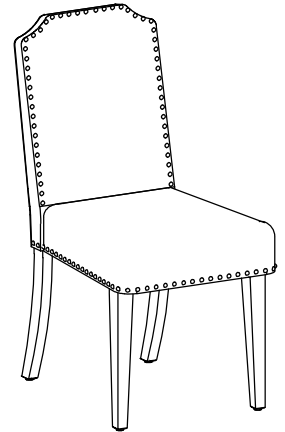


Warning :

- Be sure to check all packing material carefully for small parts, which may have come loose inside the carton during shipment.
- To prevent possible scratches and damage, this furniture must be assembled on a soft surface such as a blanket or carpet.

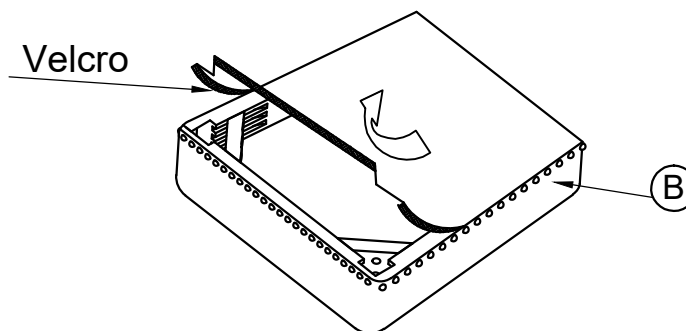


92610 / 11 / 12
Clipped Top Uph Chair

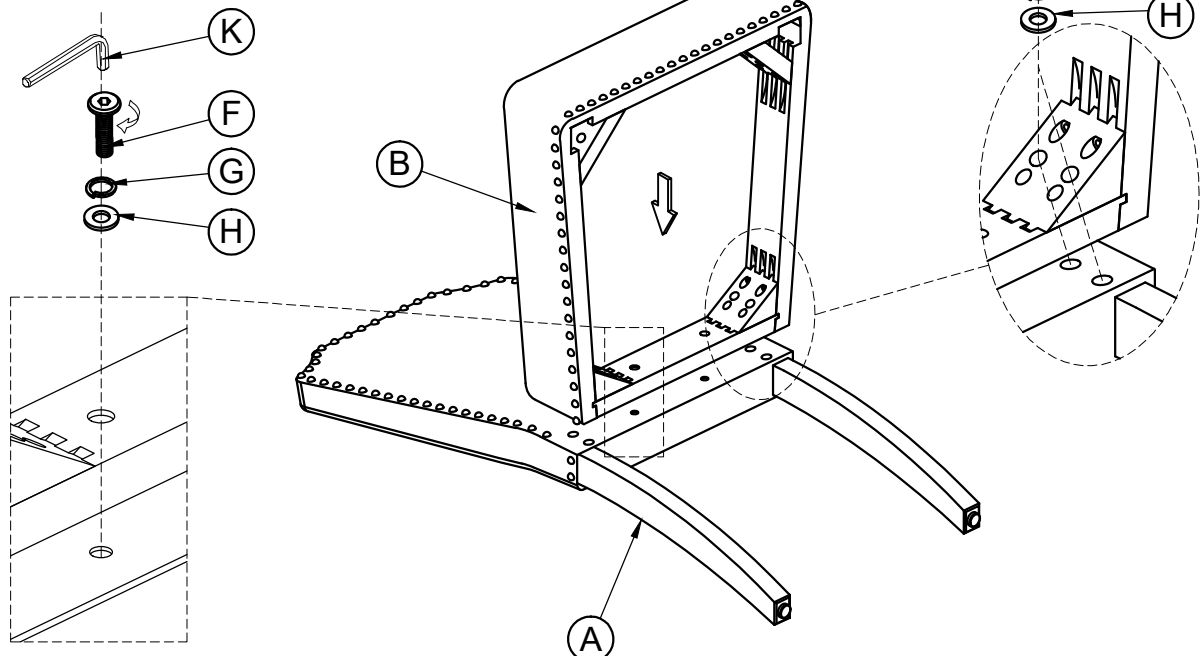
Components and Hardware List

<p>Chair Back</p> <p>(A) 1 pc.</p>	<p>Seat Frame</p> <p>(B) 1 pc.</p>	<p>Front Leg</p> <p>(C) 2 pcs.</p>	<p>Allen Head Bolt Ø5/16" x 18 x 3-3/8"</p> <p>(D) 4 pcs.</p>	<p>Allen Head Bolt Ø5/16" x 18 x 2-1/8"</p> <p>(E) 4 pcs.</p>
<p>Allen Head Bolt Ø5/16" x 18 x 1-3/4"</p> <p>(F) 2 pcs.</p>	<p>Ø5/16" Spring Washer</p> <p>(G) 10 pcs.</p>	<p>Ø5/16" Flat Washer</p> <p>(H) 10 pcs.</p>	<p>4mm Allen Key</p> <p>(K) 1 pc.</p>	<p>Upholstery Tack</p> <p>(E) 6 pcs.</p>

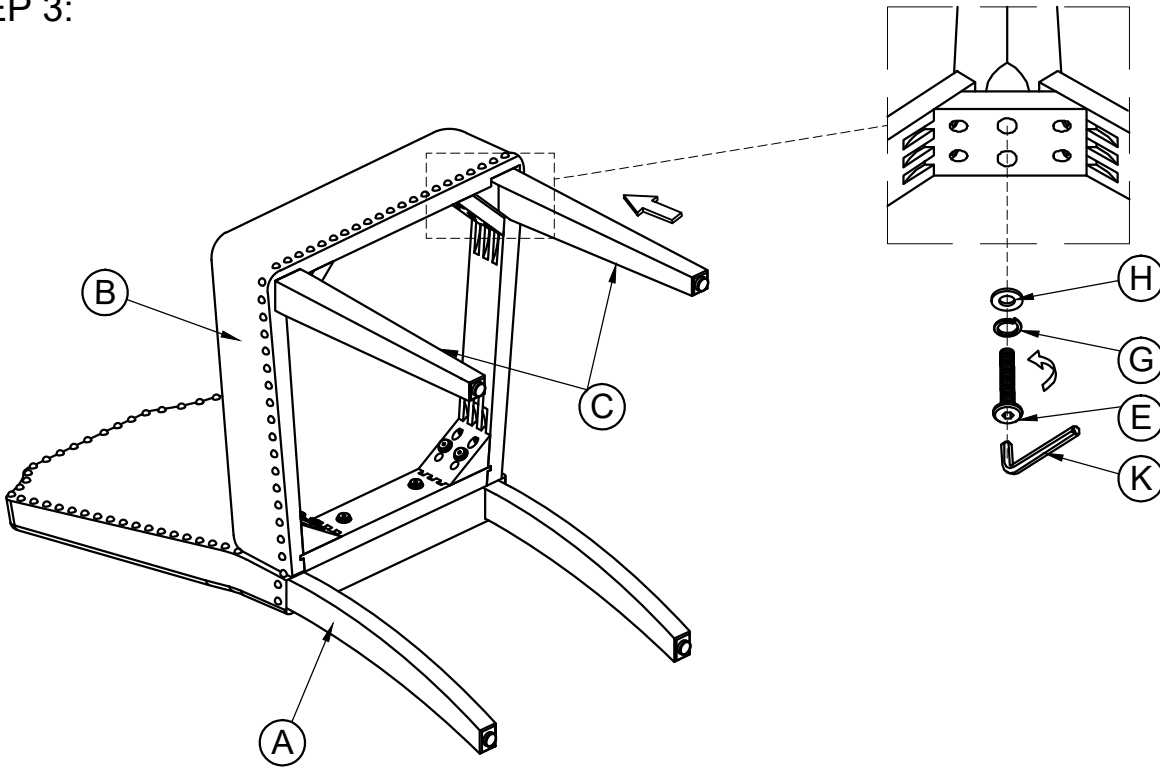
STEP 1: Remove Velcro strips on the seat frame to assemble the chair back and front legs.



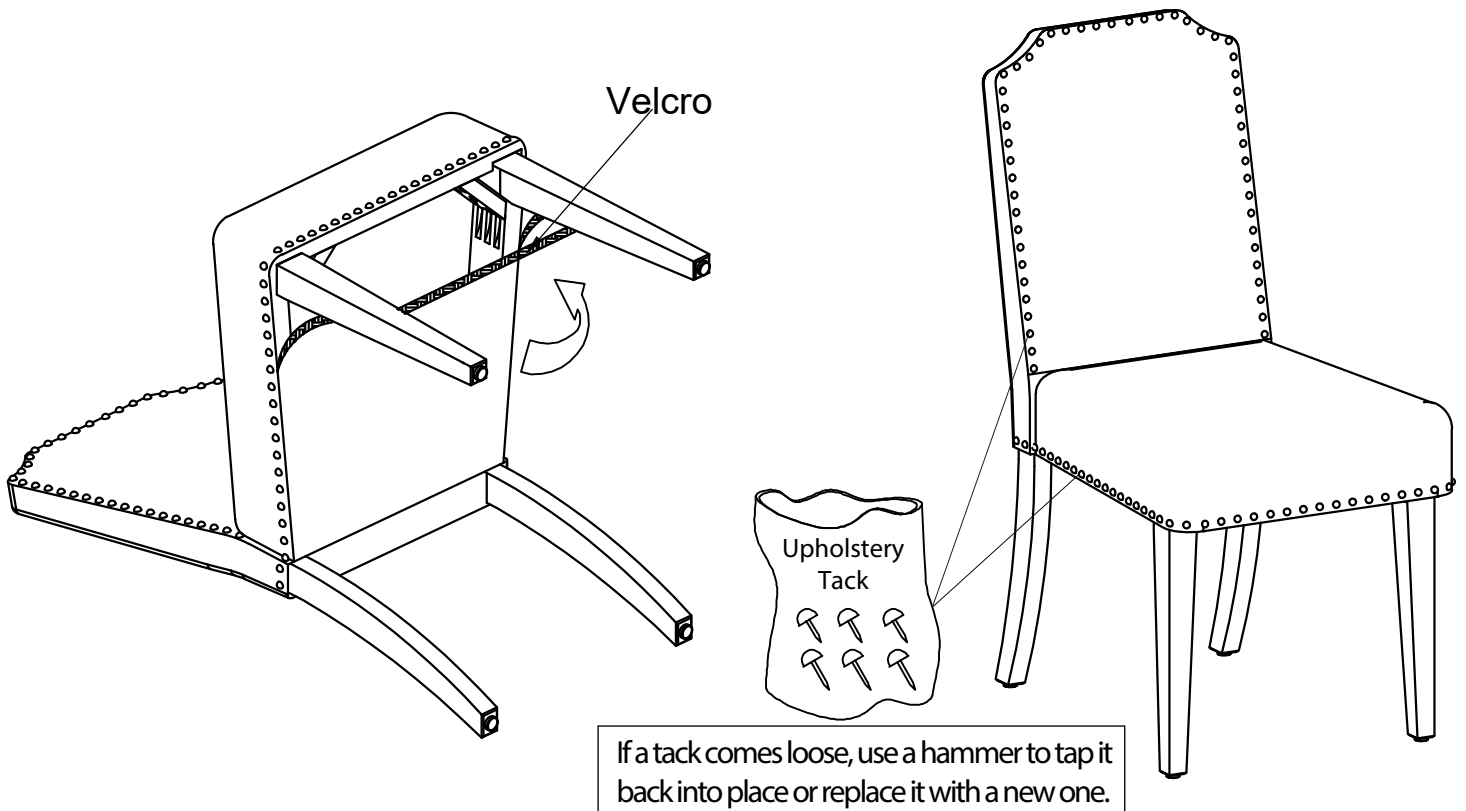
STEP 2:



STEP 3:



STEP 4: Attach all Velcro strips to the seat frame.



COMPLETE